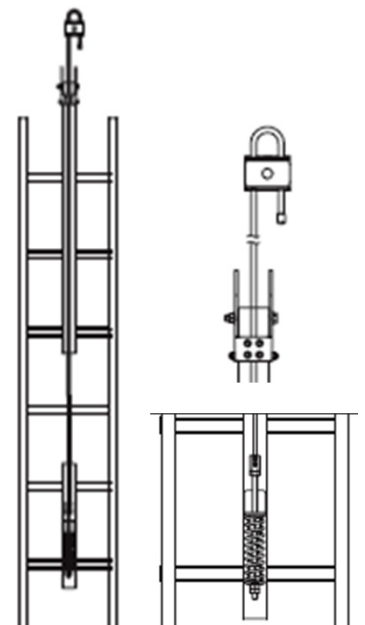




- System checking is able before using
- Low force inlet in the rung of the ladder because of integrated shock absorber
- Additional securing points at the building are necessary
- No absorbers are necessary



ENDS 11
VERTICAL END LOCK WITH INTEGRATED SHOCK ABSORBER (EN 353-1)

Mountable on: Fastening on ladders
 Pre-assembled system with variable fastening for different ladder types and extra safety on-site. **Attention: Cable not included!**
 Material: Stainless Steel/Aluminium

GLEIT 10
VERTICAL TRAVELLING EYEBOLT - DETACHABLE

Travelling eyebolt for Personal Protective Equipments (PPEs)
 Can be attached and detached at any point in the cable! Includes 1 x steel carabiner with screw enclosure (EN 362)
 Material: Stainless Steel



SZH 12
INTERMEDIATE BRACKET - CANNOT BE PASSED OVER

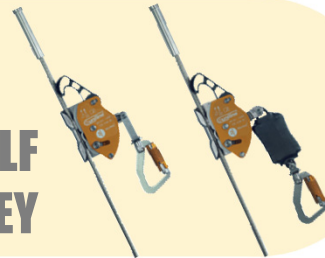
Rung dimensions: Max 45/58 mm, max Ø45 mm
 For different ladder types - for fixing the cable span!
 (Distance between intermediate brackets: 2.5 - 3.0 m)
 Material: Stainless Steel



The Aardwolf Monkey - An Ingenious Attachment Device



AARDWOLF MONKEY



The Aardwolf Monkey attachment device allows hands free continuous movement on the system, bypassing the intermediate supports without the need for user intervention. This is achieved through the design of the system and its position in relation to the structure and by the addition of a bespoke attachment karabiner. This prevents the Aardwolf Monkey from dropping too far below the worker's harness attachment point when climbing. In the event of a fall the Aardwolf Monkey locks on to the cable immediately, limiting freefall and safely arresting the user.



During testing, it was consistently demonstrated that a fall, including energy absorber deployment, was arrested in less than 500mm (20"), thereby reducing the velocity of the falling worker and significantly reducing the risk of additional injury and trauma. The Aardwolf Monkey, which fits in the palm of the hand, can be attached and detached from the system at any position by two simple manual actions and is automatically secured when released by the user.

In addition, other unique safety features distinguish this product as the safest device in the market, addressing known problems that can lead to misuse or failure.

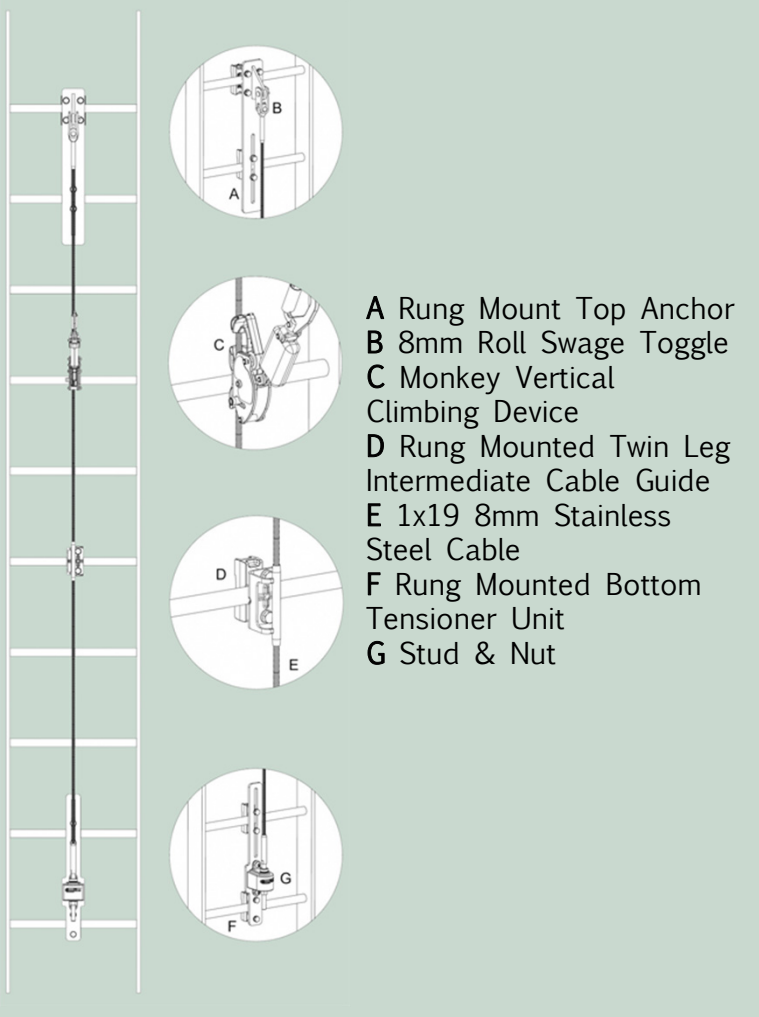
Ideal for use in the following situations:

- Ladder access
- Mast and pylon access including lattice construction towers and monopoles
- Wind turbine access
- Lighting column access
- Bridge and inclined structure access

A tensioned 8mm (0.31"), 1 x 19 construction stainless steel cable runs the length of the climbing area, supported at intervals that suit site conditions by intermediate cable supports. A wide range of components facilitate installations in demanding environments.

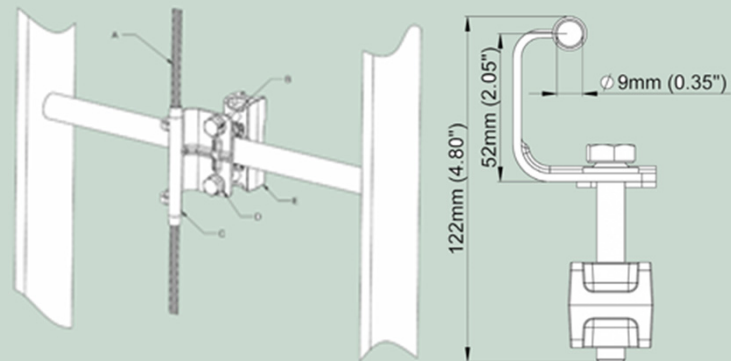
Aardwolf Easyclimber Rigid Top Anchor System

Standards: EN 353-1, OSHA 1926.1053



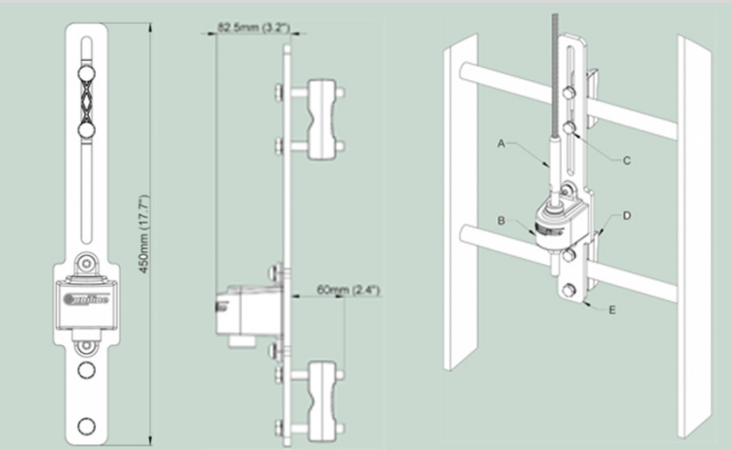
Rung Mounted Twin Leg Intermediate Cable Guide

Material: Zinc Alloy, Mild Steel



Rung Mounted Twin Leg Intermediate Cable Guide

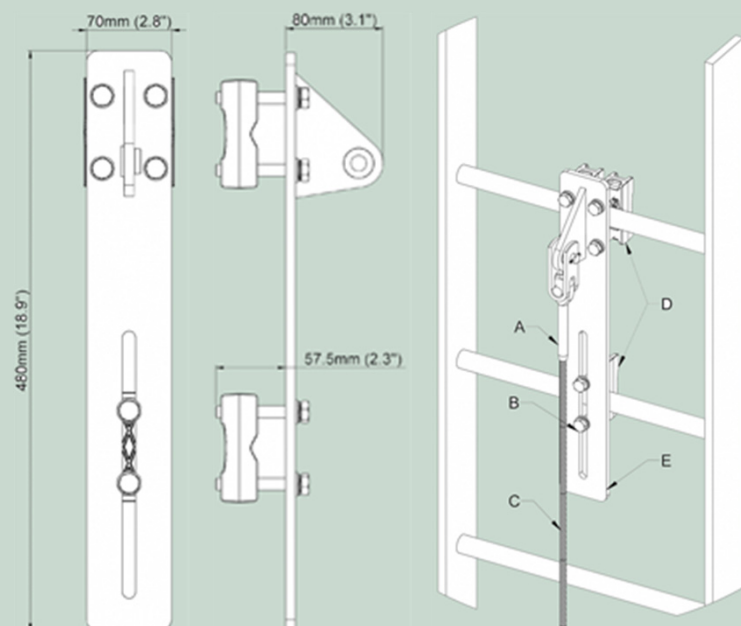
Material: Zinc Alloy, Mild Steel



Rung Mount Top Anchor c/w Clamps

Material: Zinc Alloy, Mild Steel

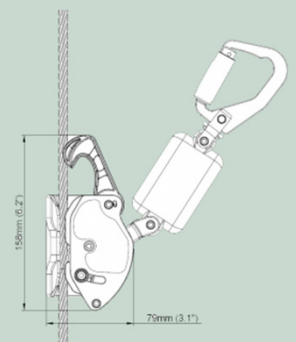
The top anchor is designed to be mounted across two rungs of the ladder to support the top of the EasyClimber system.
Rung Spacing: 200-350mm



Aardwolf Monkey with Integral Energy Absorber

Material: Cast Stainless Steel. Weight 1.1Kg

A traveller device used to connect a single user to the Aardwolf EasyClimber system whilst allowing them to move freely.



Cable

AHLL-C8 - 7x7 stainless steel
Material: stainless steel 316S16
Construction: 8 mm - 7x7 threads
Breaking strength: > 3,670 kgf
Weight: 251 g/m

