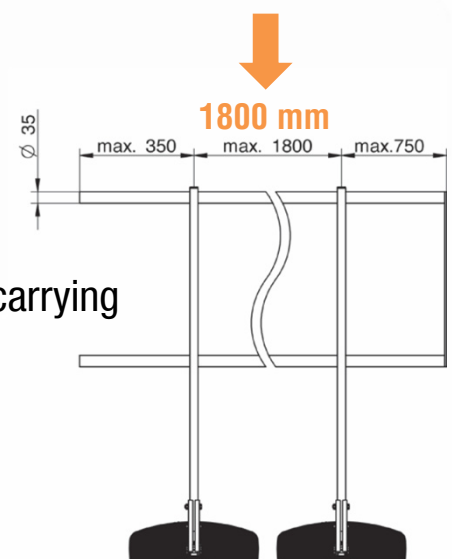




- Light deadweight because of large post distance of 1.8m
- Adjustable in height and decline
- No roof perforation and fold-away possibility
- Quick Assembly time and simple installation
- Plain design
- Plastic housing of the deadweights with handles for easy carrying
- Ideal for emergency exits
- Tested in accordance with EN 13374 A, EN ISO 14122-3



Variable Additional Tools:

To get an optimum adjustment to all different conditions on the roof, additional tools can be installed. Eg: **Door Element**, **Toe Board** or **Adjustable Corner Unit** with an adjusting range up to 325° for a variable rail course

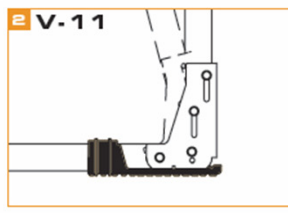
Cost Effective:

The Innotech Barrier is a very competitive product because of very simple installation and the cheap acquisition

Barrier VARIO Installation on flat-roof:



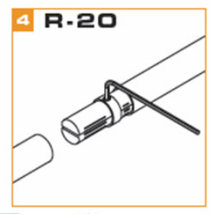
1 V-10
Plastic coated concrete weight (400 x 400 x 1200mm) with integrated handle and rounded down corners for a safe and easy transport (weight approx. 25kg)



2 V-11
With only **three bolted connections**, you can define the angle of the rail posts for an optimum adjusting to the building conditions (0° or 15°)



3 R-91 R-50
The end caps (R-91) will be installed with an overhang of the pipes until 350mm. If the overhang of the pipes is 350 to 700mm the connection bar (R-50) is used



4 R-20
R-20 in-line connector: Insert in pipe - fixing the screw - ready! Very simple installation from firm in-line pipe connections.



5 R-30
R-50 corner unit: The range of the corner unit is adjustable from 35° to 325° this allows an individual connection possibility in the corner areas.



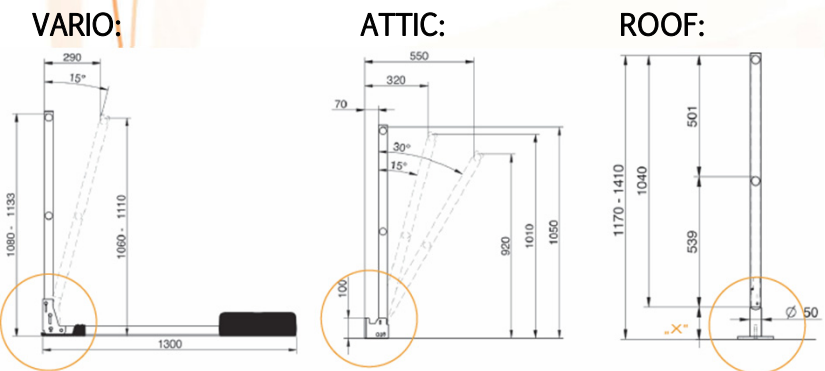
6 R-40
R-40 wall fastening: The range of this unit is adjustable from 90° to 270° for a direct connection to the cladding or wall.

Product Details

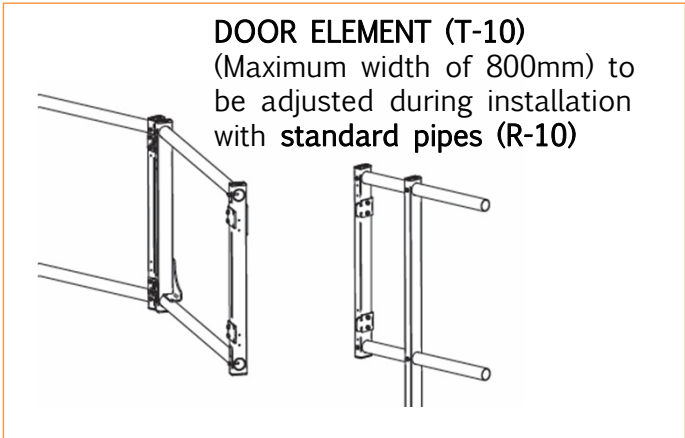
VARIO (0° and 15° adjustable)
Fold up post - fix bolted connection from the post - fasten the weight - ready! The arm for the dead weight (V-11) is pre-installed and the installation is without roof perforation (minimum necessary height of attic is 50mm)

ATTIC (0°, 15° and 30° adjustable)
System for installation on inside or outside of an attic. (Fold-away version available in 3m segments. In this case is no in-line connector at the connections necessary.)

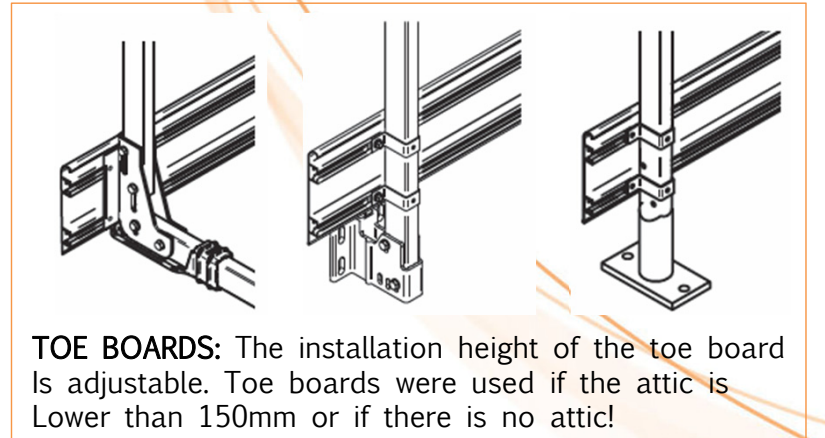
ROOF



For installation on flat roofs and on top of the attic. The standard length from the post ("X") is 150mm. Special length available on request!



DOOR ELEMENT (T-10)
(Maximum width of 800mm) to be adjusted during installation with standard pipes (R-10)



TOE BOARDS: The installation height of the toe board is adjustable. Toe boards were used if the attic is lower than 150mm or if there is no attic!